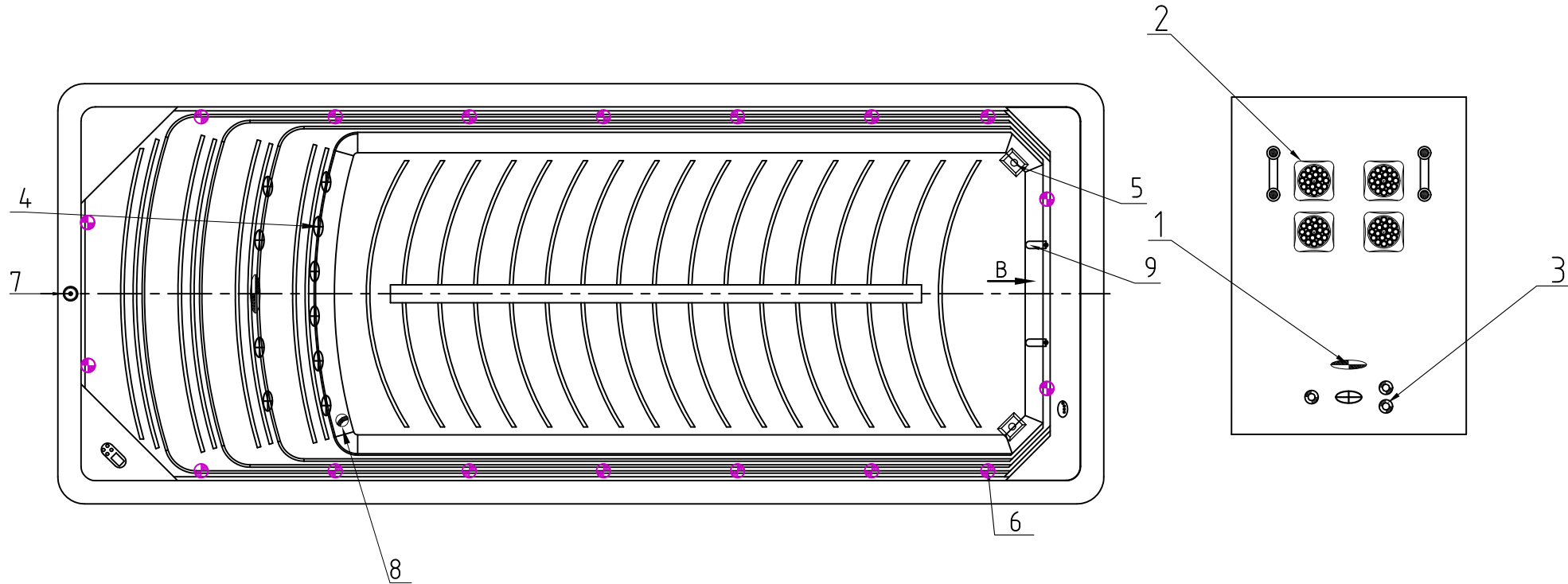
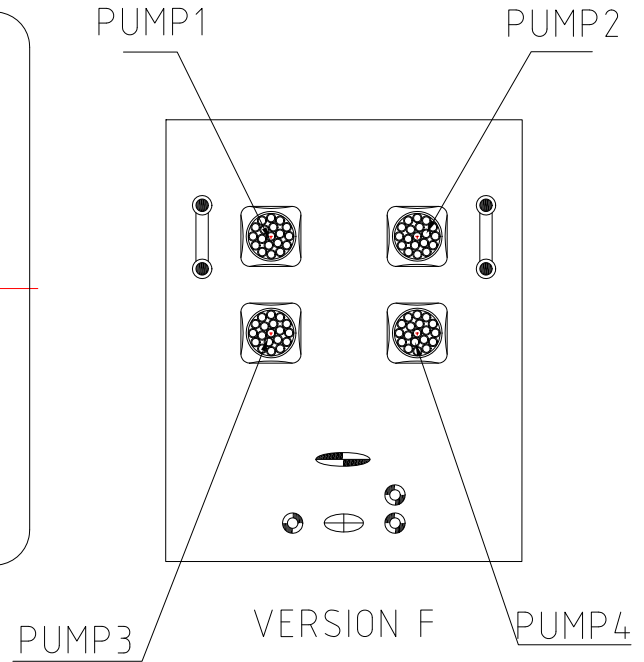
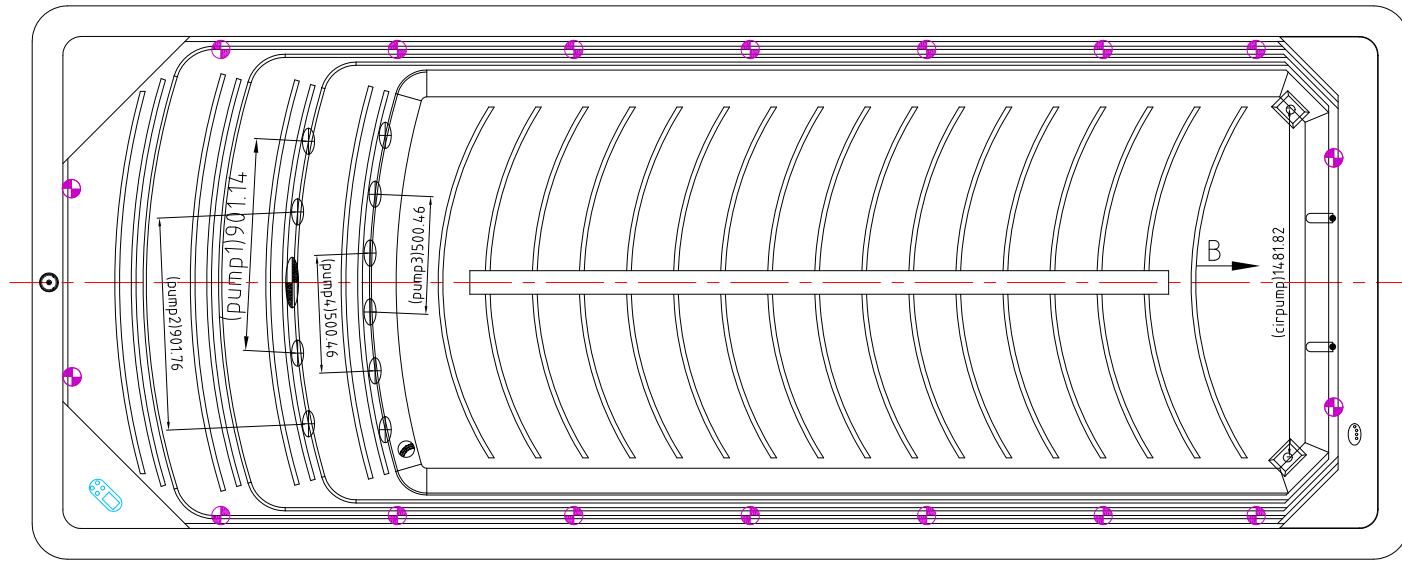


# Fitting



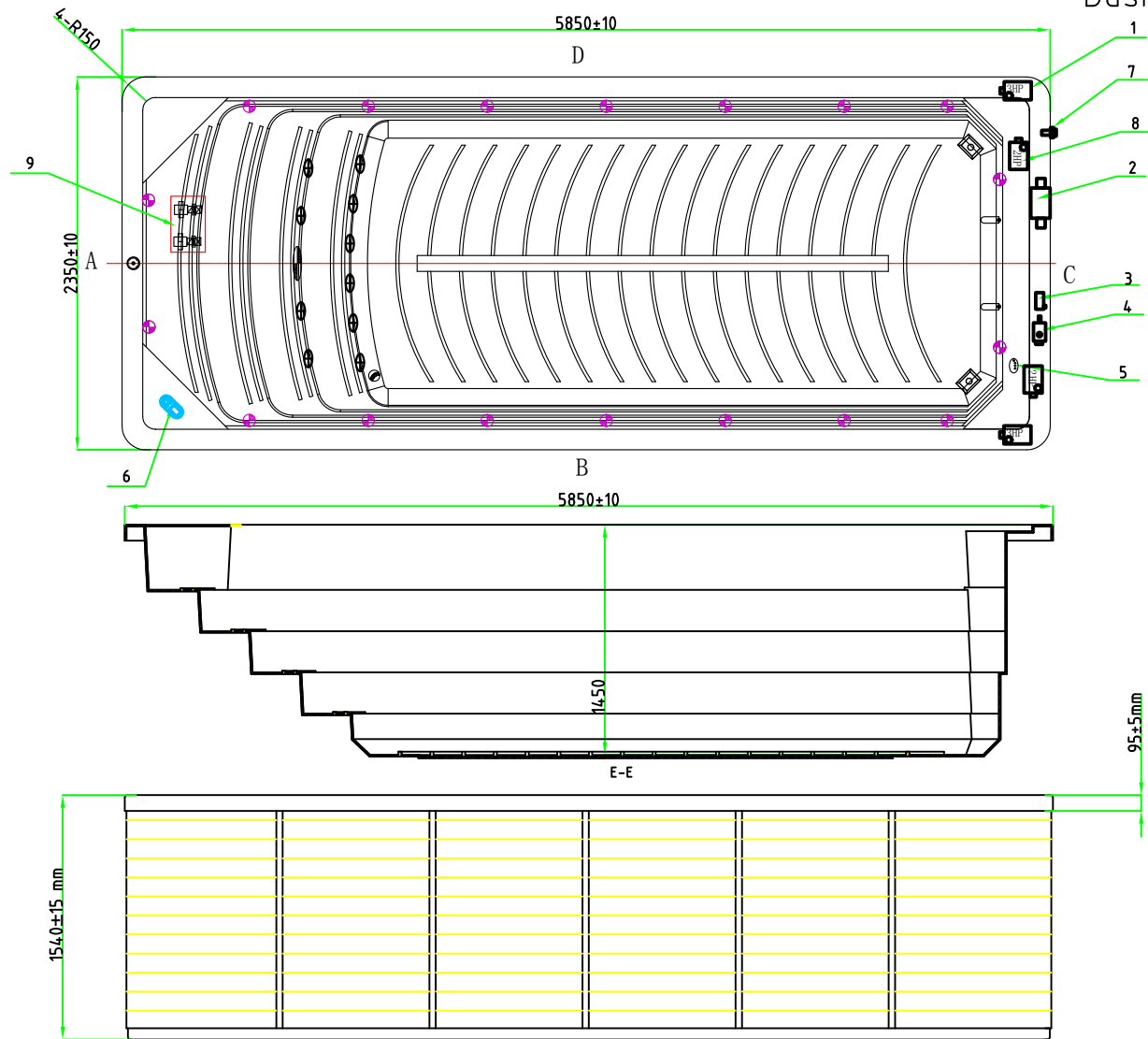
Notes: Due to manufacturing tolerances, there could be some minor differences between the actual spa and the drawing above. If site planning is critical to such tolerances, be sure to measure your actual spa. All specifications are subject to change without notice. Some components may be optional on your spa.

9		Stainless steel Handrail(Ø28×180mm)	2	pcs
8		Stainless steel floor drain	1	pcs
7		Stainless steel swim base	1	pcs
6		MINI-LED light cover	18	pc
5		Single Cilinder Skimmer	2	pcs
4		2" Suction (full set)	8	pcs
3		Ozone Injector - Carbon Grey	3	pcs
2		3" SWIM JET	4	pc
1		5" Light housing without Holder	2	pcs
NO	ICON	DESCRIPTION	QTY	UNIT
Edition:01/05/2021			EA60D.01.0008	



Notes: Due to manufacturing tolerances, there could be some minor differences between the actual spa and the drawing above. If site planning is critical to such tolerances, be sure to measure your actual spa. All specifications are subject to change without notice. Some components may be optional on your spa.

# Business plan



**NoteS:** Due to manufacturing tolerances, there could be some minor differences between the actual spa and the drawing above. If site planning is critical to such tolerances, be sure to measure your actual spa. All specifications are subject to change without notice. Some components may be optional on your spa.

9		Heat Pump Ready Union	1	pc
8		2HP Single Speed PUMP	2	pc
7		Drain Valve	1	pc
6		Control panel	1	pc
5		subsidiary control panel	1	pcs
4		1HP Circulation Pump	1	pcs
3		CD Ozone Generator	1	pcs
2		Control Box	1	pc
1		3HP Single Speed PUMP	2	pc
NO	ICON	DESCRIPTION	QTY	UNIT
Edition: 1/4/2021				EA60.07.0001