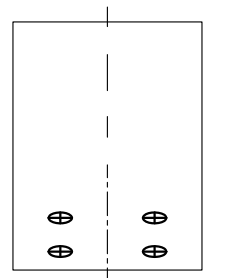
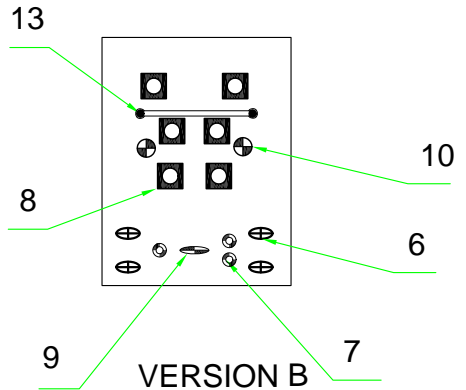
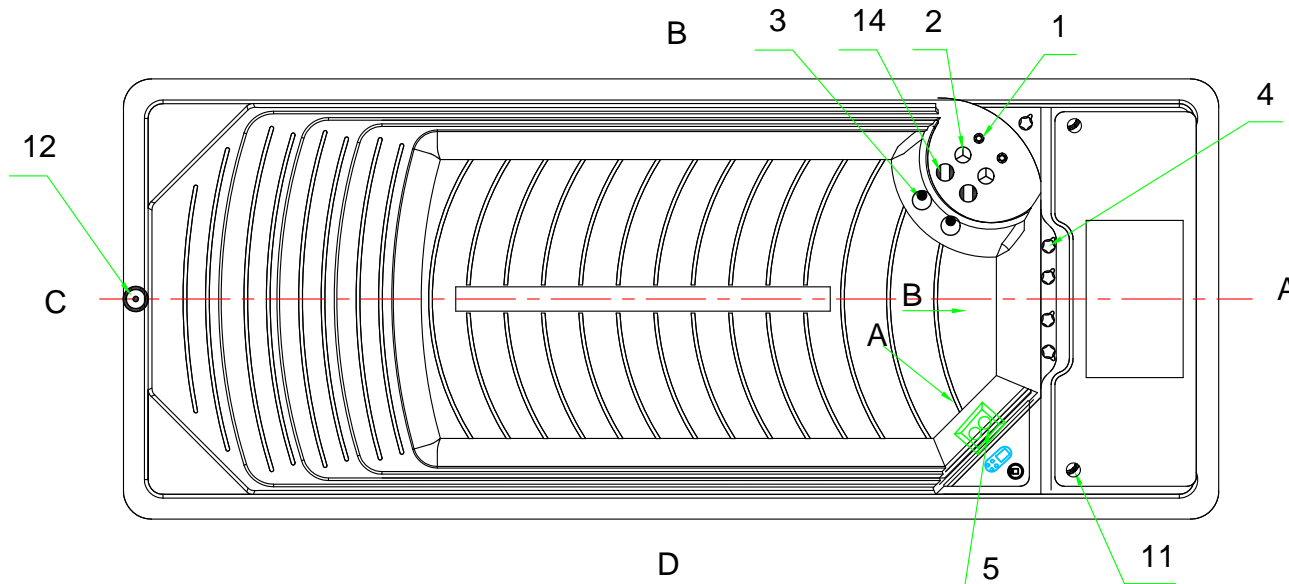


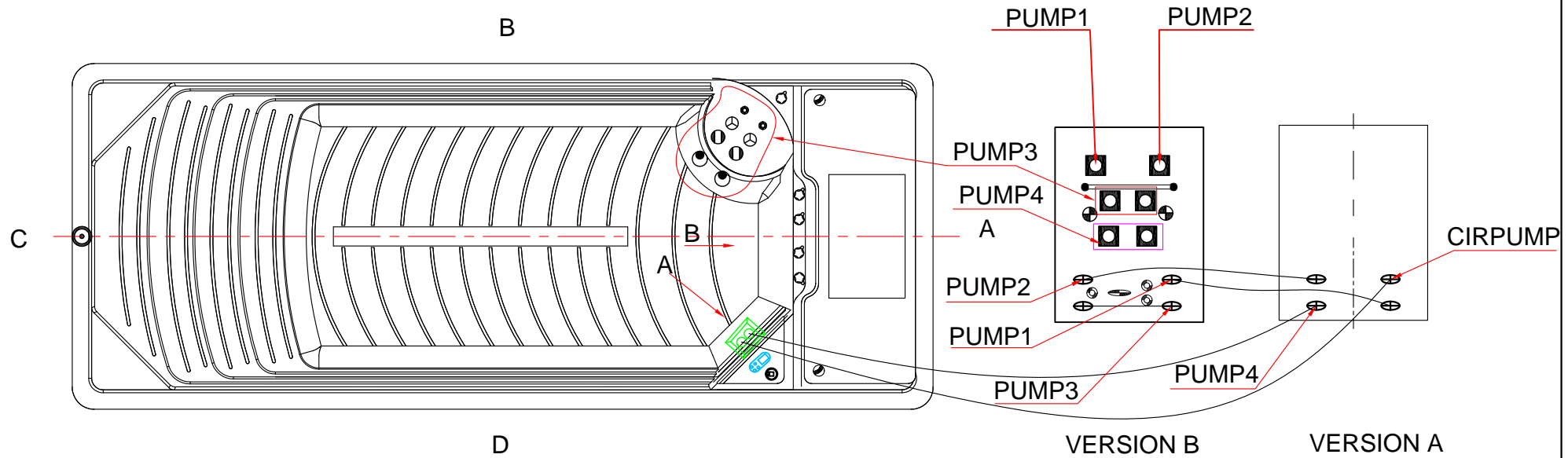
Fitting



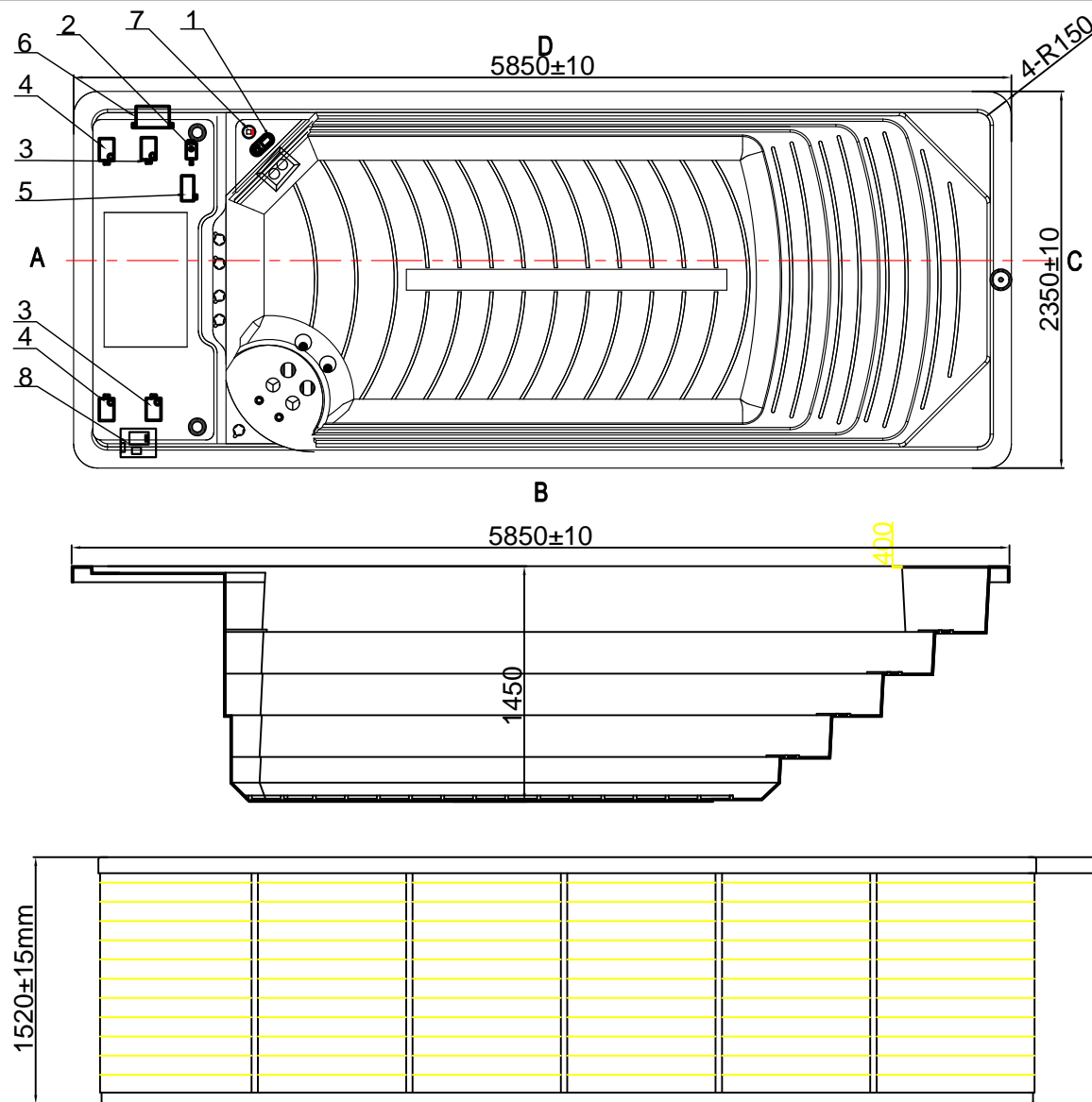
14		3 inch Jet Internal-Double Spin	2	pcs
13		Stainless Steel Handrail	1	pcs
12		Stainless Steel Swim Base	1	pcs
11		Stainless Steel Floor Drain	1	pcs
10		2 inch LED Light Cover	2	pcs
9		5 inch Light Housing Without Holder	1	pcs
8		2 inch SWIM JET	6	pcs
7		Ozone Injector - Carbon Grey	3	pcs
6		2 inch Suction (Full Set)	8	pcs
5		Double Cilinder Skimmer	1	pcs
4		1 inch Air Check Valve Assembly	5	pcs
3		4 inch Jet Internal-Single Spin	2	pcs
2		3 inch Jet Internal-Directional	2	pcs
1		2 inch Jet Internal-Directional	2	pcs
NO	ICON	DESCRIPTION	QTY	UNIT
Edition:19/2/2021				ED60.01.0006

Notes: Due to manufacturing tolerances, there could be some minor differences between the actual spa and the drawing above. If site planning is critical to such tolerances, be sure to measure your actual spa. All specifications are subject to change without notice. Some components may be optional on your spa.

Therapy Assignment



Notes: Due to manufacturing tolerances, there could be some minor differences between the actual spa and the drawing above. If site planning is critical to such tolerances, be sure to measure your actual spa. All specifications are subject to change without notice. Some components may be optional on your spa.



Notes: Due to manufacturing tolerances, there could be some minor differences between the actual spa and the drawing above. If site planning is critical to such tolerances, be sure to measure your actual spa. All specifications are subject to change without notice. Some components may be optional on your spa.

8		Inverter System	1	pcs
7		Frequency Conversion Panel	1	pcs
6		Control Box	1	pcs
5		CD Ozone Generator	1	pcs
4		3HP Inverter Pump	2	pcs
3		2HP Single Speed Pump	2	pcs
2		1HP Circulation Pump	1	pcs
1		Control panel	1	pcs
NO	ICON	DESCRIPTION	QTY	UNIT
Edition:19/2/2021				ED60.07.0002