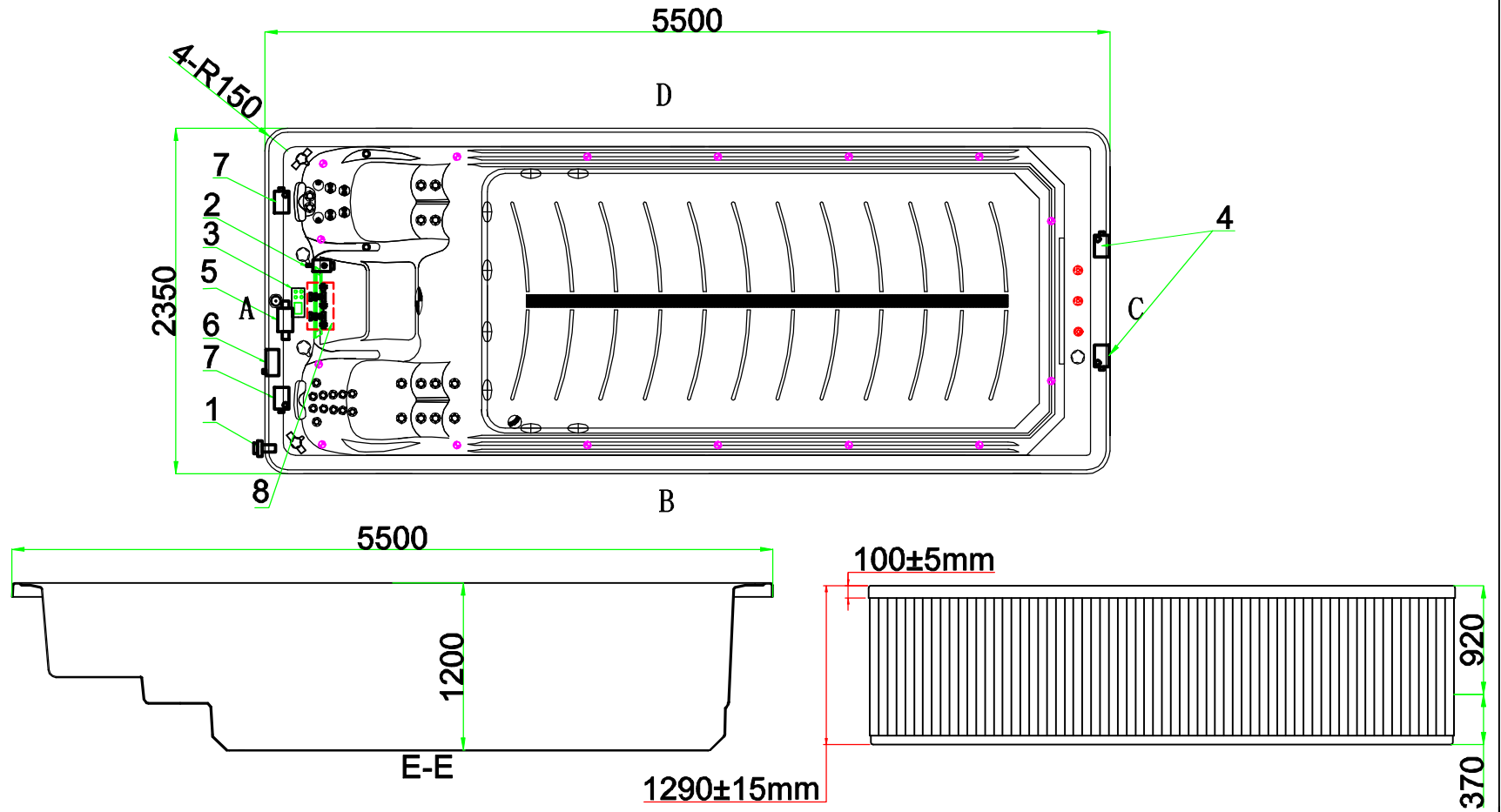


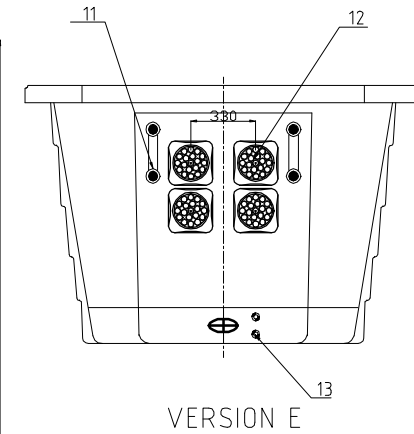
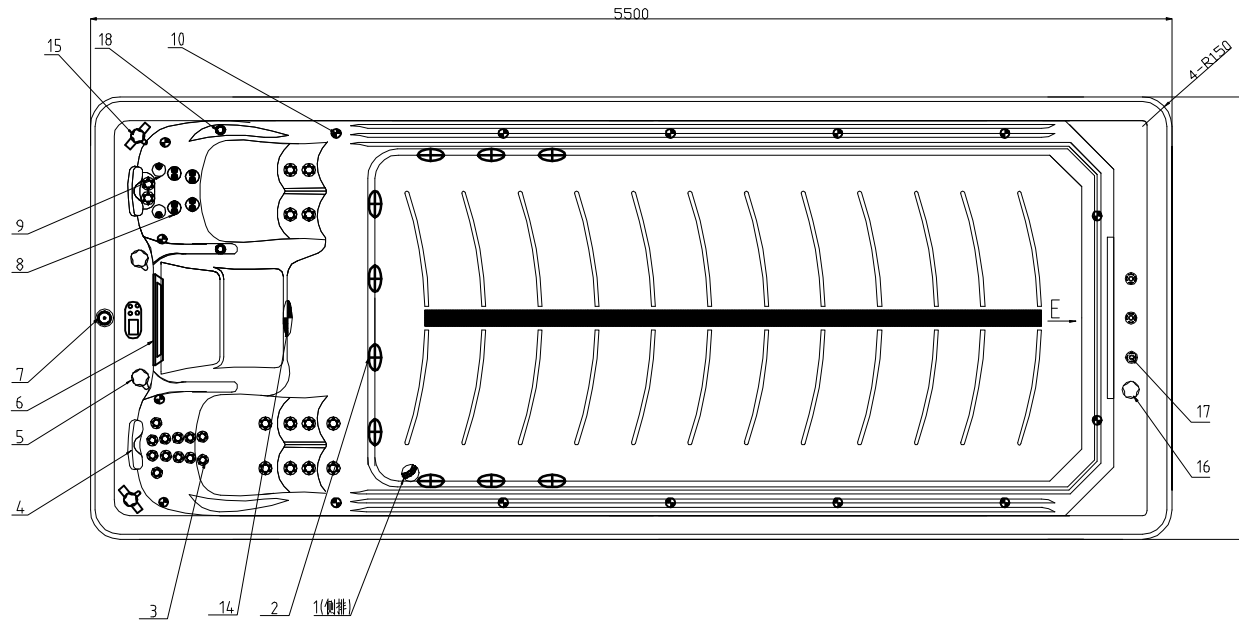
Business plan



Notes: Due to manufacturing tolerances, there could be some minor differences between the actual spa and the drawing above. If site planning is critical to such tolerances, be sure to measure your actual spa. All specifications are subject to change without notice. Some components may be optional on your spa.

8		Heat Pump Ready Unit (Option)	1	pcs
7		3HP Single Speed Pump	2	pcs
6		CD Ozone Generator	1	pcs
5		Control Box	1	pcs
4		2HP Single Speed Pump	2	pcs
3		Control Panel	1	pcs
2		Circulation Pump	1	pcs
1		Drain Valve	1	pcs
NO	ICON	DESCRIPTION	QTY	UNIT
Edition:28/1/2021			AT55.07.0001	

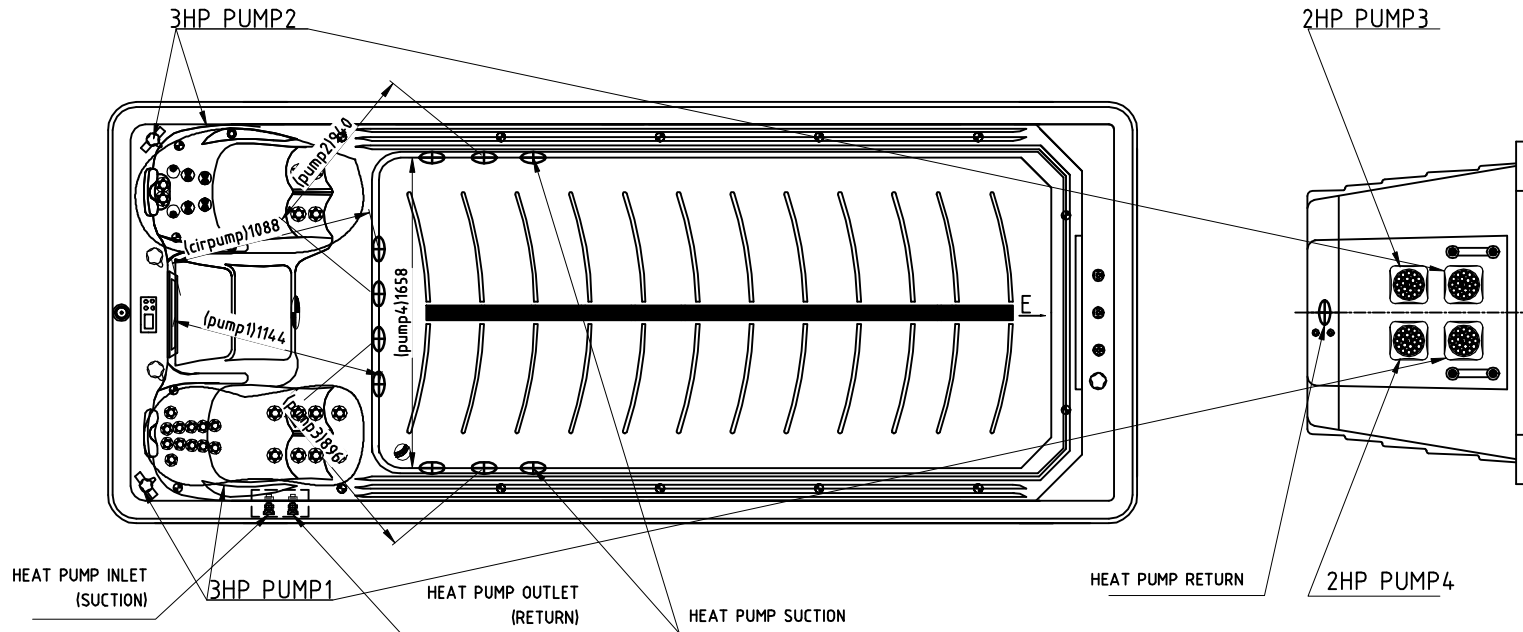
Fitting



Notes: Due to manufacturing tolerances, there could be some minor differences between the actual spa and the drawing above. If site planning is critical to such tolerances, be sure to measure your actual spa. All specifications are subject to change without notice. Some components may be optional on your spa.

18		Large 1" Jet assembly	2	pcs	16		Perimeter LED	16	pcs
17		Lifting fountain	3	pcs	9		4" Jet Internal-Single Spin	2	pcs
16		Fountain valve	1	pcs	8		4" Jet internal-Twin pulse	4	pcs
15		2" Water diverter valve	2	pcs	7		stainless steel swim base	1	pcs
14		5" Light housing without Holder	1	pcs	6		Twin Cylinder Skimmer (carbon grey)	1	pcs
13		Ozone Injector - Carbon Grey	2	pcs	5		1" Air Check Valve Assembly	2	pcs
12		3" Turbo Jet	4	pcs	4		Headrest	2	pcs
11		Handrail	2	pcs	3		2" Jet Internal-Directional	26	pcs
					2		2" Suction (full set)	8	pcs
					1		Star-Shape SS Bottom Drain	2	pcs
NO	ICON	DESCRIPTION	QTY	UNIT	NO	ICON	DESCRIPTION	QTY	UNIT

Therapy Assignment



Notes: Due to manufacturing tolerances, there could be some minor differences between the actual spa and the drawing above. If site planning is critical to such tolerances, be sure to measure your actual spa. All specifications are subject to change without notice. Some components may be optional on your spa.